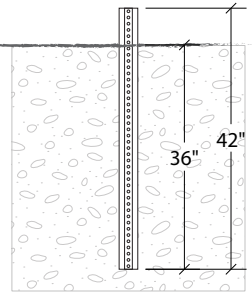


U-Channel Post Install Guide

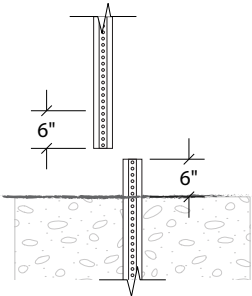
1

Pound 42" U-Channel Base into ground. Be sure to leave 6" out above grade.



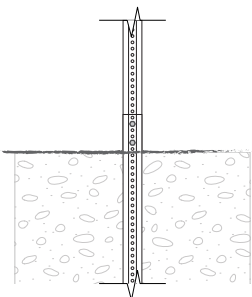
2

Join U-Channel Post to U-Channel Base by overlapping the bottom 6" of post with top 6" of base above grade.



3

Bolt overlapping U-Channel Post & Base in place using two L9 Bolts & supplied hardware.

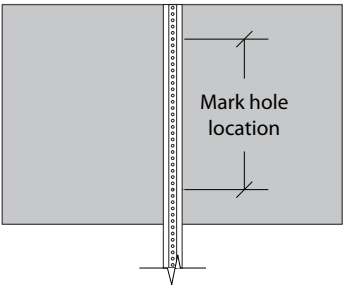


4

Repeat steps 1 thru 3 for installation of second post if required.

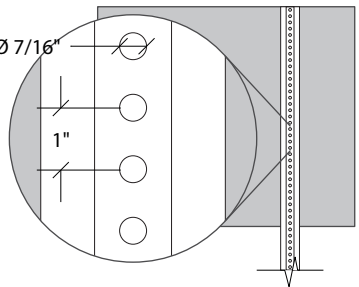
5

Align the top of your sign to the top of the installed U-Channel Post(s) and mark the required hole placement.



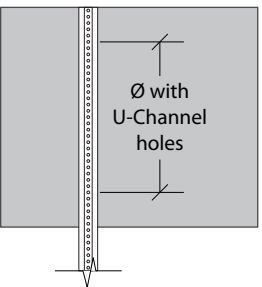
6

Holes on U-Channel Posts are 7/16" in diameter, and are spaced 1" on center from each other.



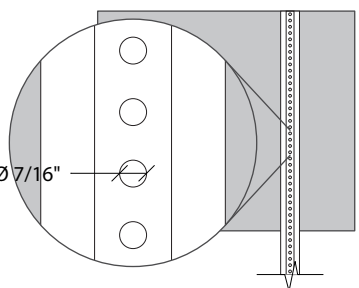
7

Before drilling, ensure your holes are marked at an even inch on center from one another, i.e. 12", 24", 36".



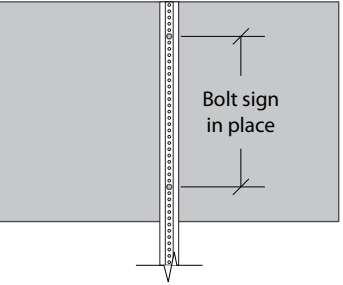
8

Using an 7/16" bit, drill sign mounting holes.



9

Bolt sign to the installed U-Channel Post(s) using the Sign Post Hardware supplied.



10

Congratulation!
You have installed your sign using U-Channel Post & Base.
If you have any questions please call toll free 1.888.590.7446